

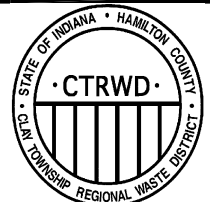
FORCE MAIN TO MANHOLE DETAIL
FOR 4" DIAMETER PIPE OR SMALLER

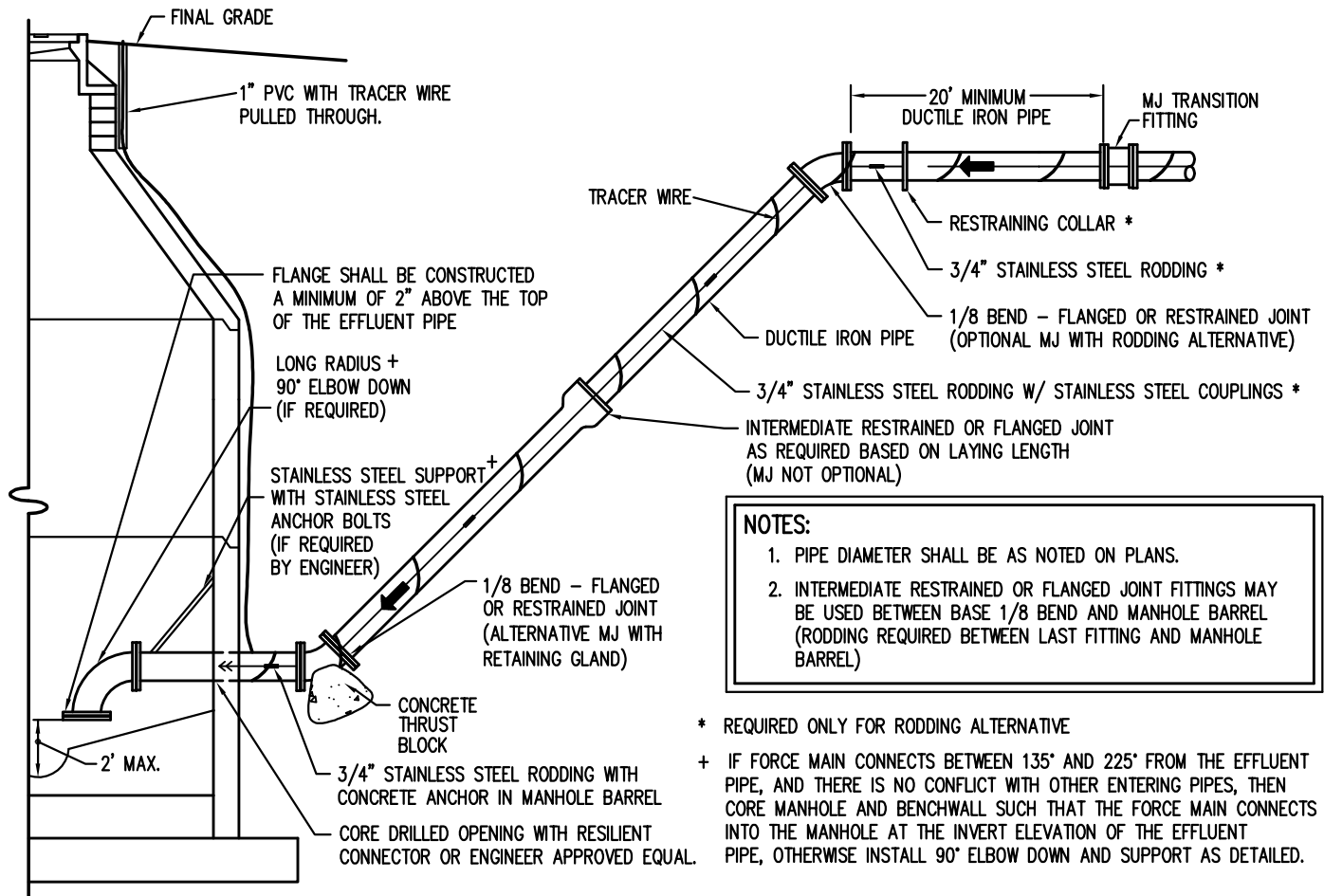


David A. Clark



CLAY TOWNSHIP REGIONAL WASTE DISTRICT
 FORCE MAIN TO MANHOLE DETAIL





D.A. Clark

FORCE MAIN TO MANHOLE DETAIL FOR 4" DIAMETER PIPE OR GREATER



CLAY TOWNSHIP REGIONAL WASTE DISTRICT
FORCE MAIN TO MANHOLE DETAIL

